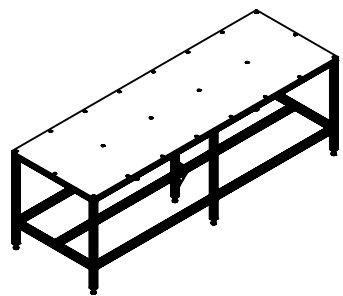
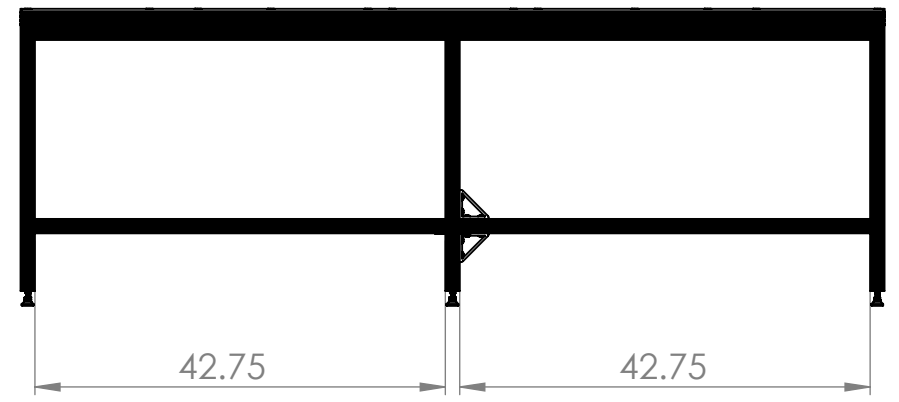
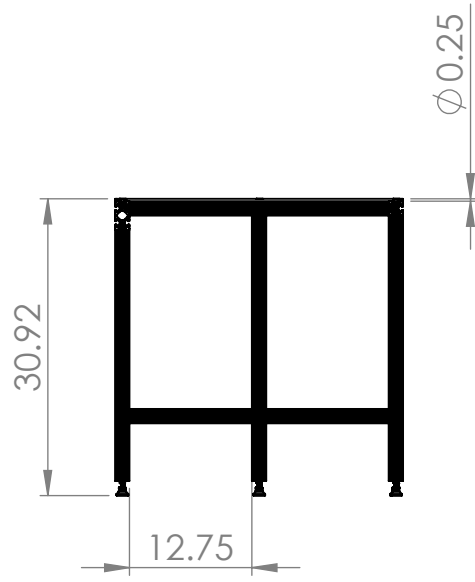
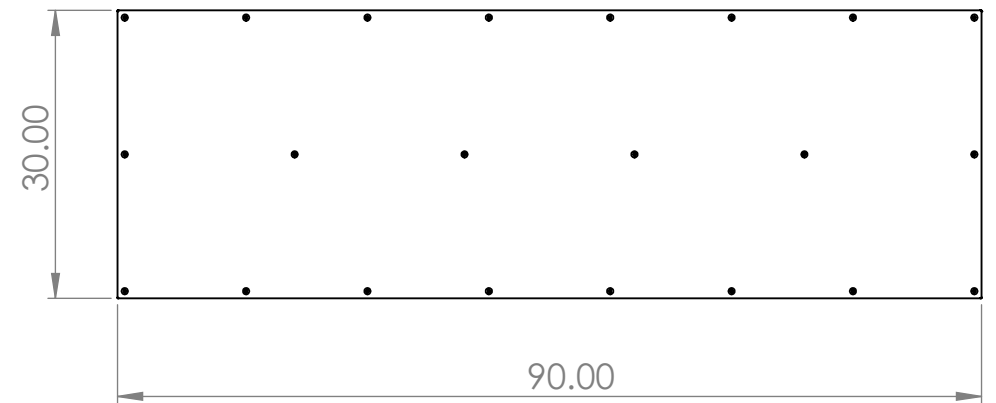


8 7 6 5 4 3 2 1

D
C
B
A

D
C
B
A



PROPRIETARY AND CONFIDENTIAL
 THE INFORMATION CONTAINED IN THIS DRAWING IS THE SOLE PROPERTY OF CHECKERED PAST MACHINE. ANY REPRODUCTION IN PART OR AS A WHOLE WITHOUT THE WRITTEN PERMISSION OF CHECKERED PAST MACHINE IS PROHIBITED.

UNLESS OTHERWISE SPECIFIED:			
DIMENSIONS ARE IN INCHES			
TOLERANCES: FRACTIONAL: $\pm 1/32$ ANGULAR: $\pm 0.5^\circ$ 2 PLACE DECIMAL: $\pm .02$ 3 PLACE DECIMAL: $\pm .005$			
INTERPRET GEOMETRIC TOLERANCING PER: ANSI Y14.5M-1994			
MATERIAL	80/20		DATE
FINISH			
DO NOT SCALE DRAWING		NAME	C. Phillips
		DATE	12/18/18

TITLE: FRONT WING INSPECTION TABLE		
SIZE B	DWG. NO. DWG No.	REV
SCALE:	WEIGHT:	SHEET 1 OF 1