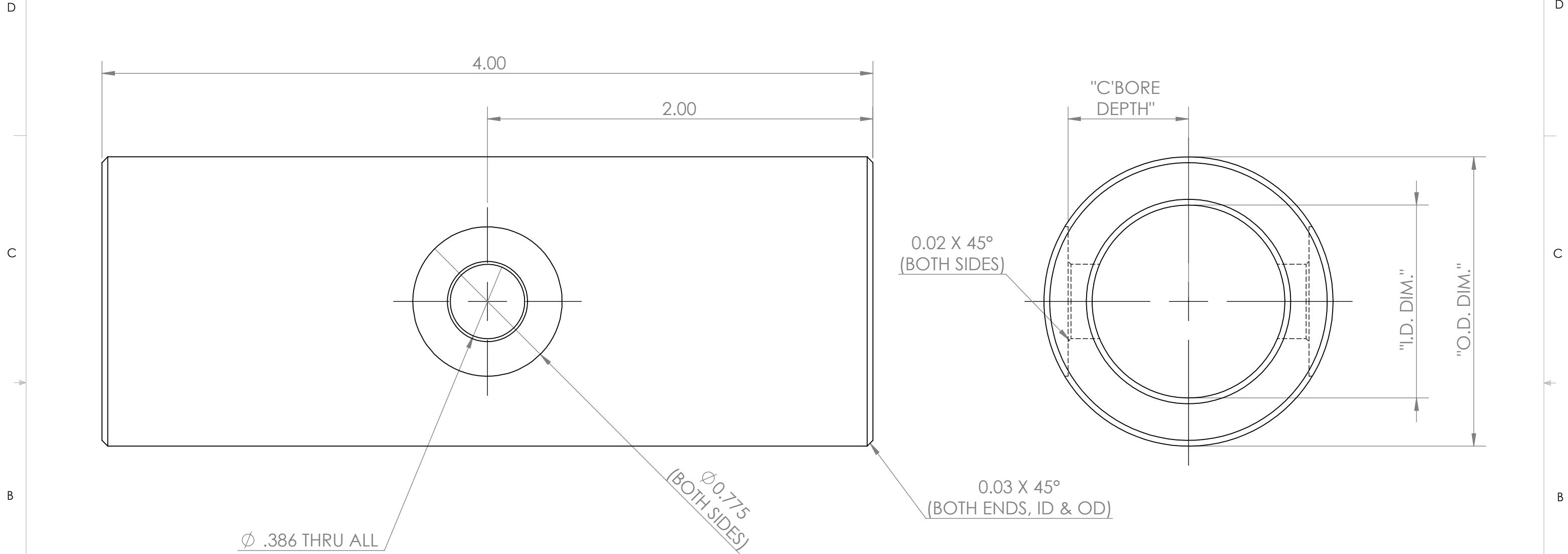


PART NUMBER	O.D. DIM.	I.D. DIM.	C'BORE DEPTH
CPIC030	1.500 +0/-0.005	1.00	0.63
CPIC031	1.125 +0/-0.005	0.75	0.44
CPIC032	1.750 +0/-0.005	1.25	0.75
CPIC033	2.000 +0/-0.005	1.50	0.90



SEE ABOVE CHART FOR PART SPECIFIC DIMENSIONS.

UNLESS OTHERWISE SPECIFIED:		NAME	DATE	
DIMENSIONS ARE IN INCHES		DRAWN	C. Phillips 12/10/18	
TOLERANCES:		CHECKED		
FRACTIONAL: $\pm 1/32$		ENG APPR.		
ANGULAR: $\pm 0.5^\circ$		MFG APPR.		
2 PLACE DECIMAL: $\pm .02$		Q.A.		
3 PLACE DECIMAL: $\pm .005$				
INTERPRET GEOMETRIC TOLERANCING PER: ANSI Y14.5M-1994		TITLE:		
MATERIAL		<h1>GAUGE BARRELS</h1>		
6061 ALUMINUM				
FINISH		SIZE	DWG. NO.	REV
AS MACHINED		B	CPIC030-033	
DO NOT SCALE DRAWING		SCALE:	WEIGHT:	SHEET 1 OF 1

PROPRIETARY AND CONFIDENTIAL
 THE INFORMATION CONTAINED IN THIS DRAWING IS THE SOLE PROPERTY OF CHECKERED PAST MACHINE. ANY REPRODUCTION IN PART OR AS A WHOLE WITHOUT THE WRITTEN PERMISSION OF CHECKERED PAST MACHINE IS PROHIBITED.

