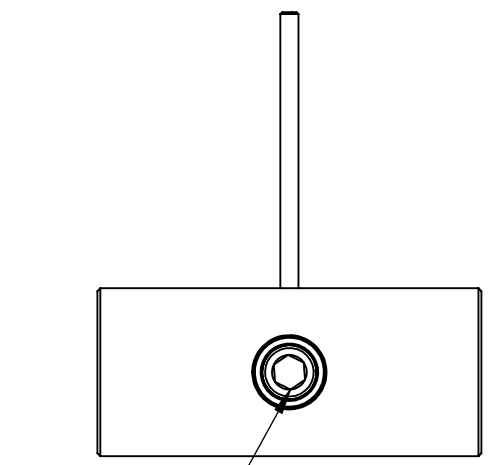


8 7 6 5 4 3 2 1

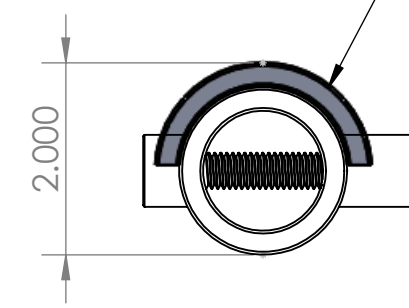
D
C
B
A



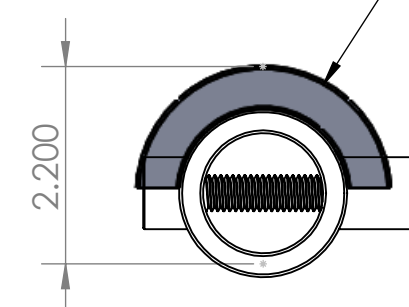
3/8-16 X 2-1/2" STAINLESS SHCS
MCMASTER/CARR 92196A614

END CAP
DWG. NO. CPIC021

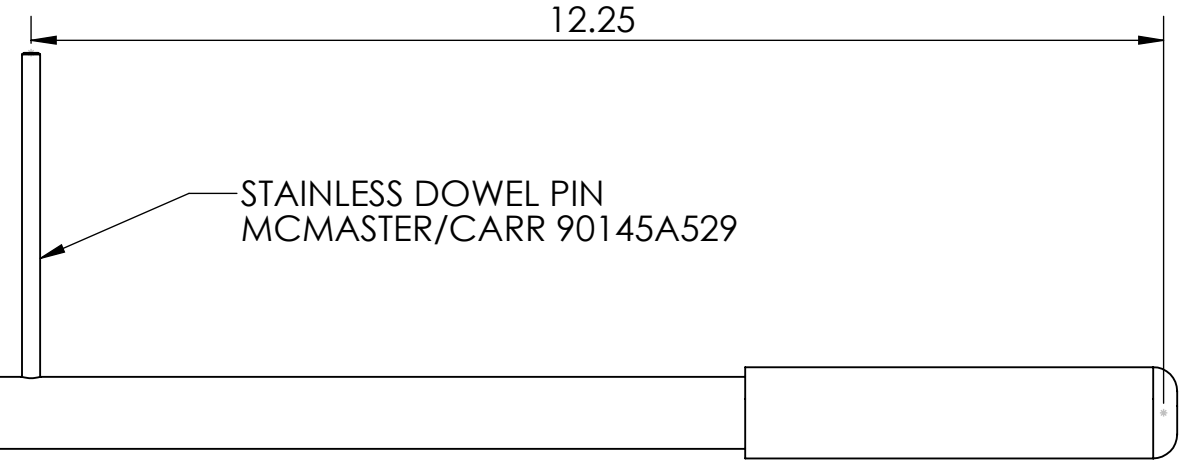
R/C P2 MIN GO CAP
DWG. NO. CPIC058



R/C P2 MAX NO-GO CAP
DWG. NO. CPIC059

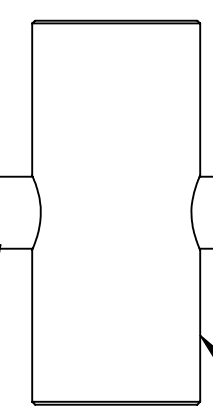


STAINLESS DOWEL PIN
MCMASTER/CARR 90145A529



16" HANDLE
DWG. NO. CPIC020

CUSHIONED GRIP
MCMASTER/CARR 9282K16



1.75"OD BARREL
DWG. NO. CPIC032

UNLESS OTHERWISE SPECIFIED:
DIMENSIONS ARE IN INCHES
TOLERANCES:
FRACTIONAL: ± 1/32
ANGULAR: ± 0.5°
2 PLACE DECIMAL: ± .02
3 PLACE DECIMAL: ± .005
INTERPRET GEOMETRIC
TOLERANCING PER: ANSI Y14.5M-1994

MATERIAL
FINISH
DO NOT SCALE DRAWING

	NAME	DATE
DRAWN	C. Phillips	12/10/18
CHECKED		
ENG APPR.		
MFG APPR.		
Q.A.		



TITLE:
R/C P2 Guage

SIZE **B** DWG. NO. **CPIC004** REV

SCALE: WEIGHT: SHEET 1 OF 1

PROPRIETARY AND CONFIDENTIAL
THE INFORMATION CONTAINED IN THIS
DRAWING IS THE SOLE PROPERTY OF
CHECKERED PAST MACHINE.
ANY REPRODUCTION IN PART OR AS A
WHOLE WITHOUT THE WRITTEN
PERMISSION OF CHECKERED PAST
MACHINE IS PROHIBITED.

8 7 6 5 4 3 2 1