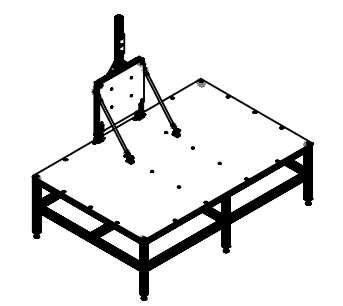
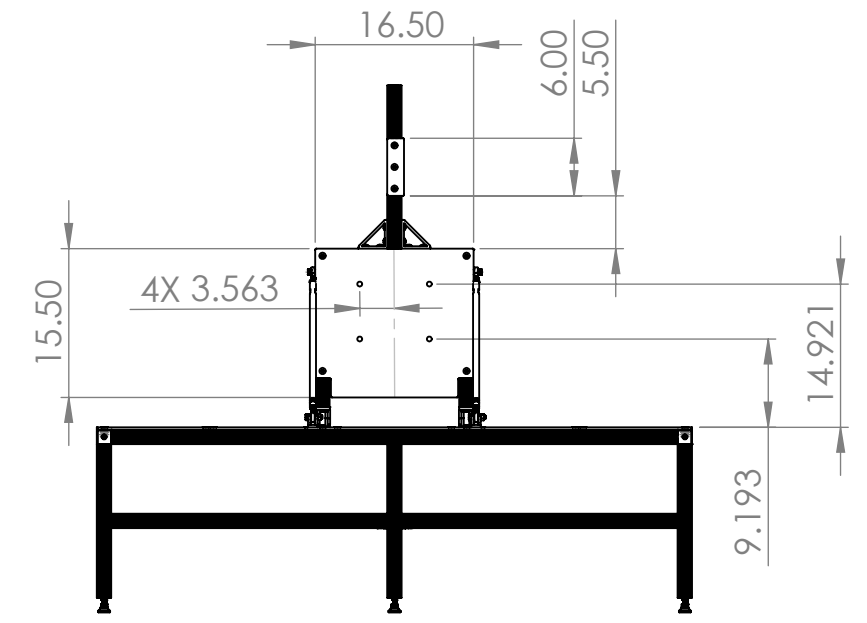
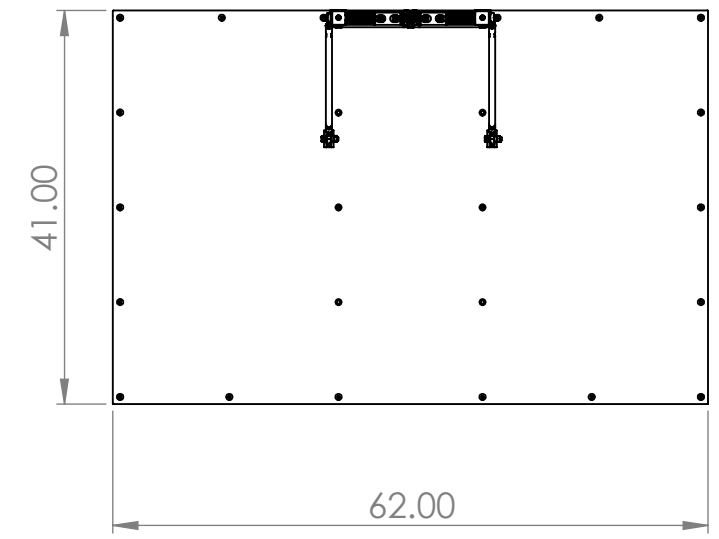
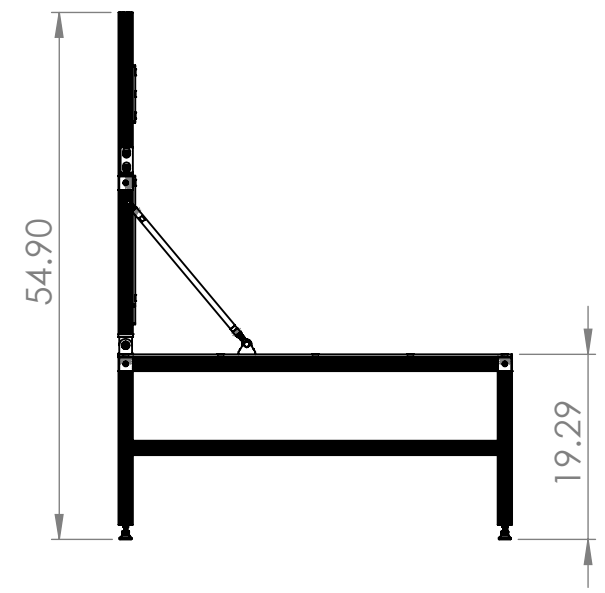


8 7 6 5 4 3 2 1

D  
C  
B  
A

D  
C  
B  
A



**PROPRIETARY AND CONFIDENTIAL**  
 THE INFORMATION CONTAINED IN THIS DRAWING IS THE SOLE PROPERTY OF CHECKERED PAST MACHINE. ANY REPRODUCTION IN PART OR AS A WHOLE WITHOUT THE WRITTEN PERMISSION OF CHECKERED PAST MACHINE IS PROHIBITED.

UNLESS OTHERWISE SPECIFIED:  
 DIMENSIONS ARE IN INCHES  
 TOLERANCES:  
 FRACTIONAL: ± 1/32  
 ANGULAR: ±0.5°  
 2 PLACE DECIMAL: ±.02  
 3 PLACE DECIMAL: ±.005  
 INTERPRET GEOMETRIC TOLERANCING PER: ANSI Y14.5M-1994  
 MATERIAL: 80/20  
 FINISH:  
 DO NOT SCALE DRAWING

	NAME	DATE
DRAWN	C. Phillips	12/18/18
CHECKED		
ENG APPR.		
MFG APPR.		
Q.A.		

TITLE: <b>REAR WING INSPECTION TABLE</b>		
SIZE <b>B</b>	DWG. NO. <b>DWG No.</b>	REV
SCALE:	WEIGHT:	SHEET 1 OF 1

8 7 6 5 4 3 2 1